

Inductive slot sensor

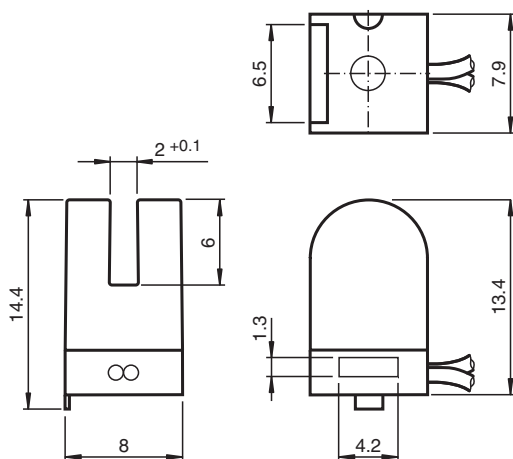
SJ2-N-Y12815

■ Comfort series

ATEX version



Dimensions



Technical Data

General specifications

| | |
|------------------------------|----------------------|
| Switching function | Normally closed (NC) |
| Output type | NAMUR |
| Slot width | 2 mm |
| Depth of immersion (lateral) | 5 ... 7 typ. 6 mm |
| Output type | 2-wire |

Nominal ratings

| | | |
|------------------------------|-------|--------------------------------------|
| Nominal voltage | U_o | 8.2 V (R_i approx. 1 k Ω) |
| Operating voltage | U_B | 5 ... 25 V |
| Switching frequency | f | 0 ... 5000 Hz |
| Current consumption | | |
| Measuring plate not detected | | ≥ 3 mA at nominal voltage |
| Measuring plate detected | | ≤ 1 mA at nominal voltage |

Compliance with standards and directives

| | | |
|---------------------|--|---|
| Standard conformity | | |
| NAMUR | | EN 60947-5-6:2000 IEC 60947-5-6:1999 |

Release date: 2023-01-27 Date of issue: 2023-01-27 Filename: 70132974_eng.pdf

Refer to "General Notes Relating to Pepperl+Fuchs Product Information".

Pepperl+Fuchs Group
www.pepperl-fuchs.com

USA: +1 330 486 0001
fa-info@us.pepperl-fuchs.com

Germany: +49 621 776 1111
fa-info@de.pepperl-fuchs.com

Singapore: +65 6779 9091
fa-info@sg.pepperl-fuchs.com

PF PEPPERL+FUCHS

Technical Data

| | | |
|-----------------------------------|---|---|
| Standards | | EN 60947-5-2:2007 EN 60947-5-2/A1:2012 IEC 60947-5-2:2007 IEC 60947-5-2 AMD 1:2012 |
| Approvals and certificates | | |
| IECEX approval | | |
| Equipment protection level Ga | | IECEX PTB 11.0091X |
| Equipment protection level Gb | | IECEX PTB 11.0091X |
| Equipment protection level Da | | IECEX PTB 11.0091X |
| Equipment protection level Mb | | IECEX PTB 11.0091X |
| ATEX approval | | |
| Equipment protection level Ga | | PTB 99 ATEX 2219 X |
| Equipment protection level Gb | | PTB 99 ATEX 2219 X |
| Equipment protection level Da | | PTB 99 ATEX 2219 X |
| UL approval | | |
| Ordinary Location | | E87056 |
| Hazardous Location | | E501628 |
| Control drawing | | 116-0453 |
| KCC approval | | |
| Hazardous Location | | 13-AV4BO-0353X |
| Ambient conditions | | |
| Ambient temperature | | -25 ... 100 °C (-13 ... 212 °F) |
| Mechanical specifications | | |
| Connection type | | flexible leads LIFYW |
| Housing material | | PBT |
| Degree of protection | | IP67 |
| Cable | | |
| Cable diameter | | 0.75 mm ± 0.15 mm |
| Bending radius | | > 10 x cable diameter |
| Material | | PVC |
| Core cross section | | 0.06 mm ² |
| Length | L | 500 mm |
| General information | | |
| Use in the hazardous area | | see instruction manuals |

Connection

